

MINIR4M(EN)



Wi-Fi Smart Switch

User Manual V1.0

Introduction

MINI Extreme is an extremely compact Wi-Fi smart switch that can be installed in the mounting box, transforming your regular switch into smart switch. It supports Matter protocol, enabling seamlessly work with other smart devices from different brands to create a customized home automation system.



Voice Control



External switch



Timer Schedule



OTA Upgrade



Support Matter



Power-on State



LAN Control



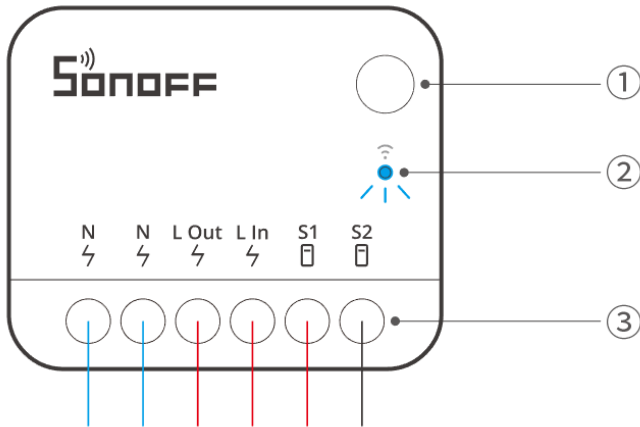
Inching Mode



Group Control



Smart Scene



① Button

Press once: Changing the on/off state of relay contacts

Press and hold for 5 seconds : Device enters the pairing mode.

② Wi-Fi LED indicator (Blue)

eWeLink Mode

- Keeps on: Device is online.
- Flashes twice: LAN
- Flashes once: Offline
- Flashes two short and one long: Device is in pairing mode.
- Flashes three times: Trigger mode switched successfully

Matter Mode

- Keeps on: Device is online.
- Flashes once: Offline
- Flashes two short and one long: Device is in pairing mode.
- Flashes three times: Trigger mode switched successfully; Identify

③ Wiring ports

Matter-compatible ecosystem

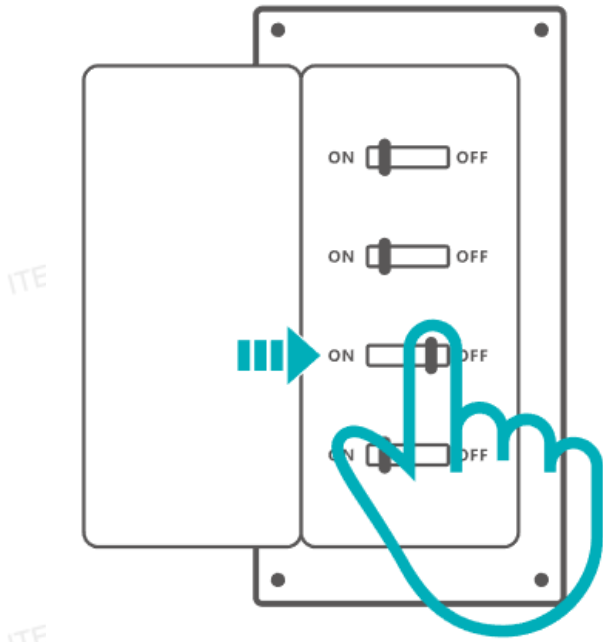


Specification

Model	MINIR4M
MCU	ESP32-C3FN4
Rating	100-240V~ 50/60Hz 10A Max Resistive Load μ
Max. power	2400W@240V
Wireless Connectivity	Wi-Fi IEEE802.11b/g/n2.4GHz
Net Weight	26.7g
Dimension	39.5x33x16.8mm
Color	White
Casing Material	PC V0
Applicable Place	Indoor
Working Temperature	-10°C~40°C
Working Humidity	5%~95% RH, non-condensing
Certified Compliance	CE/FCC/RoHS/SRRC/TUV/ISED
Executive standard	EN IEC 60669-2-1

Installation

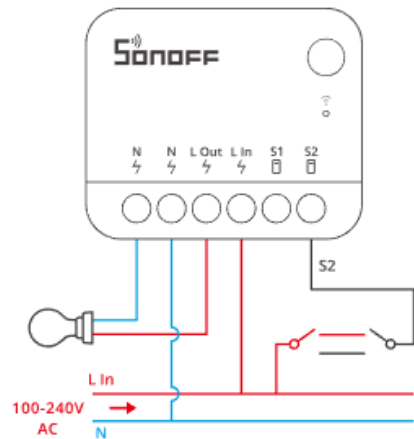
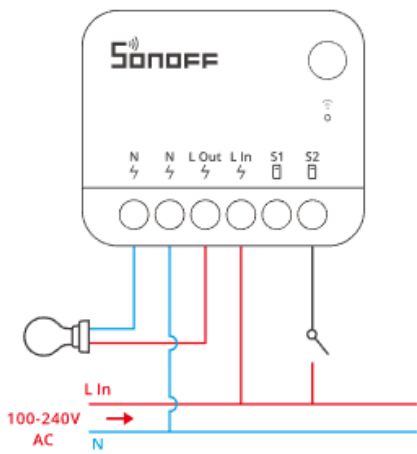
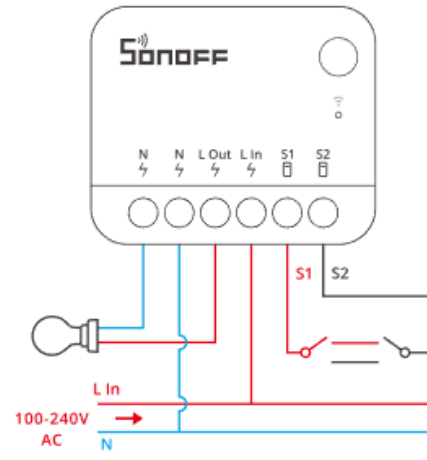
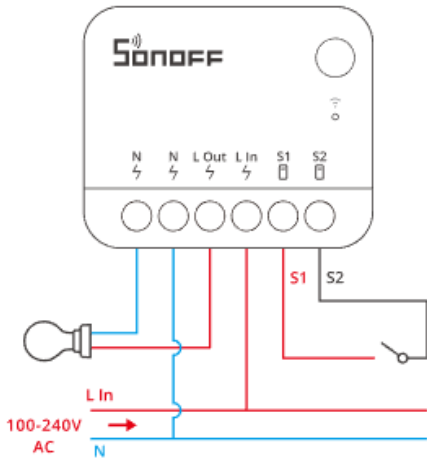
1. Power off



*Please install and maintain the device by a professional electrician. To avoid electric shock hazard, do not operate any connection or contact the terminal connector while the device is powered on!

2. Wiring instruction

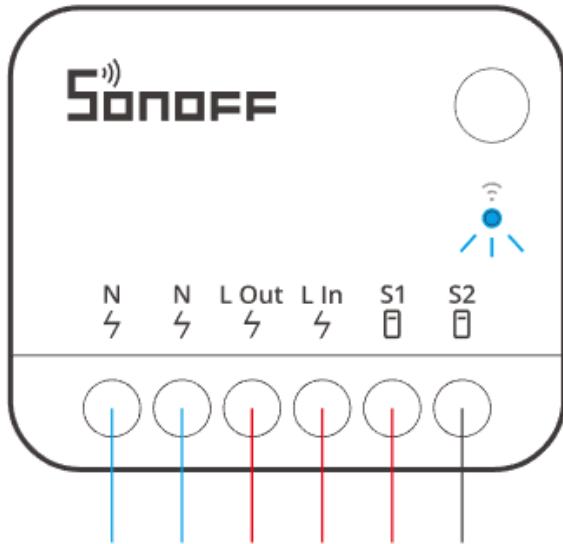
To ensure the safety of your electrical installation, it's essential either a Miniature Circuit Breaker (MCB) or a Residual Current Operated Circuit Breaker (RCBO) with an electrical rating of 10A has been installed before the MINIR4M.



- No matter S1 and S2 are connected or left idle to the external switch, this device can be controlled by automation or the App.
- It is prohibited to connect S1 and S2 terminals to the neutral or ground wire, in order to avoid damaging the equipment and causing danger.
- Make sure all wires are connected correctly.

3. Power on

After powering on, the device will enter the Pairing Mode defaulted during the first use, and the Network indicator flashes in a cycle of two short and one long.



*The device will exit the Pairing Mode if not been paired within 10mins. If you want to enter this mode again, please long press the button for 5s until the Network indicator flashes in a cycle of two short and one long and then release.

Add device

Method 1: Matter Pairing

Open a Matter-compatible App (e.g. Alexa App, Google Home App, or Apple Home App, etc) to scan the Matter QR code on the Quick Guide or the device itself to add the device.



Add to Alexa via Matter



Add to Google via Matter



Add to Apple via Matter

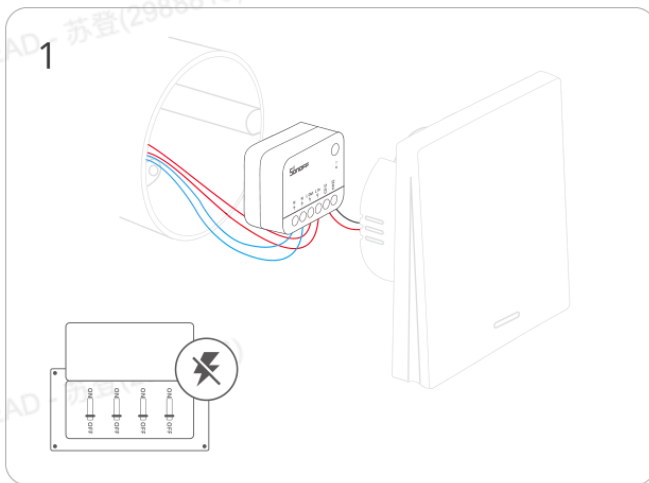
Method 2: eWeLink App Pairing

1. Download the "eWeLink" App

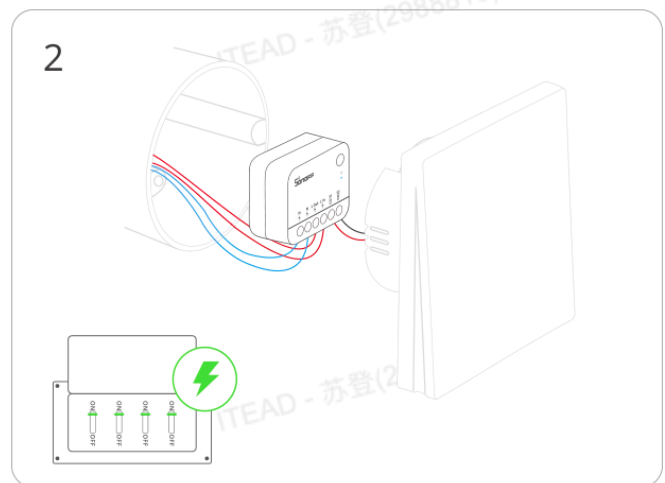
Please download the "eWeLink" App from Google Play Store or Apple App Store.



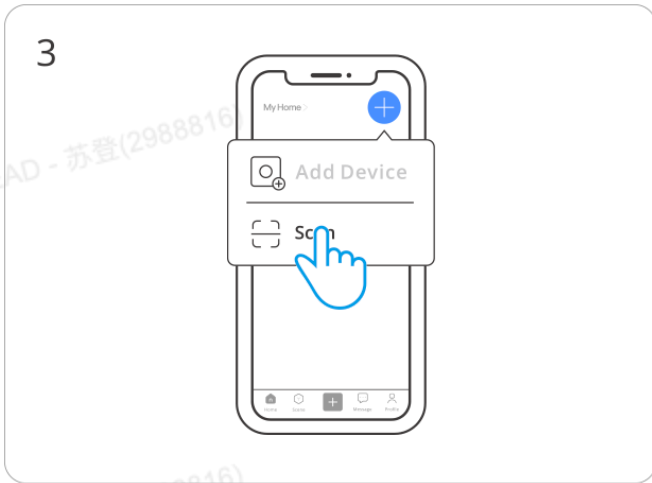
2. Add device



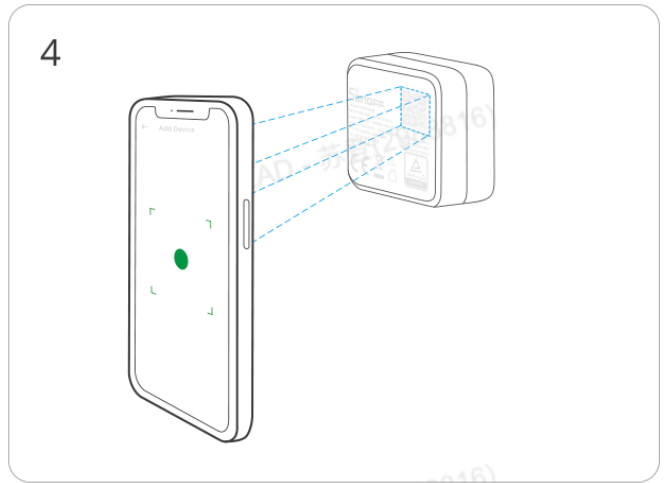
Please follow the wiring instructions to connect the wires (ensure power is disconnected in advance and consult an electrician if needed)



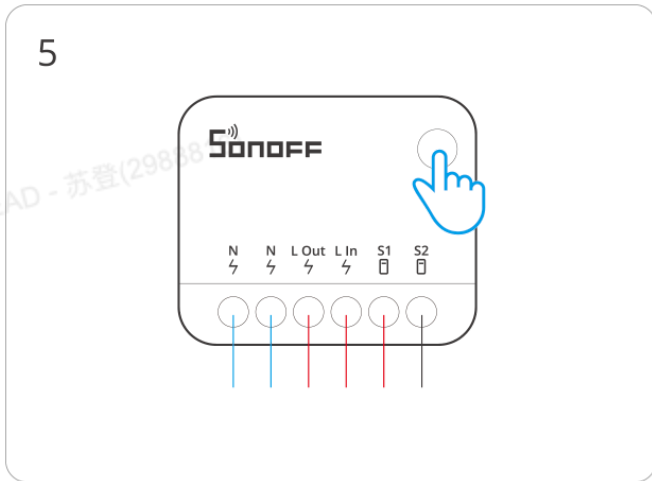
Power on the device



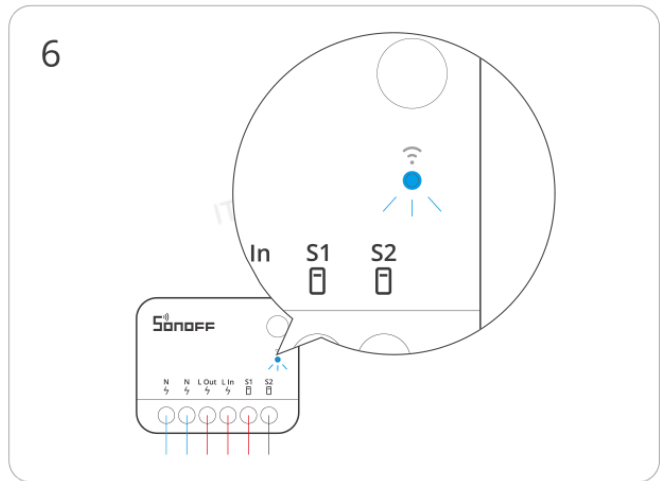
Enter "Scan QR code"



Scan the Matter QR code on the device body or the back page of the Quick Start Guide.



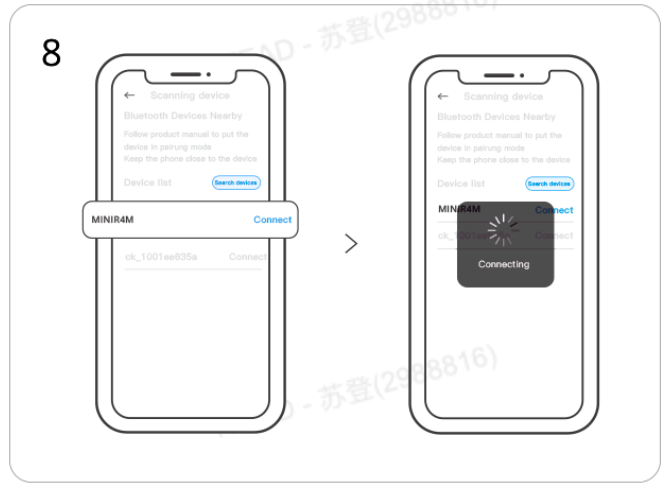
Long press the button for 5 seconds



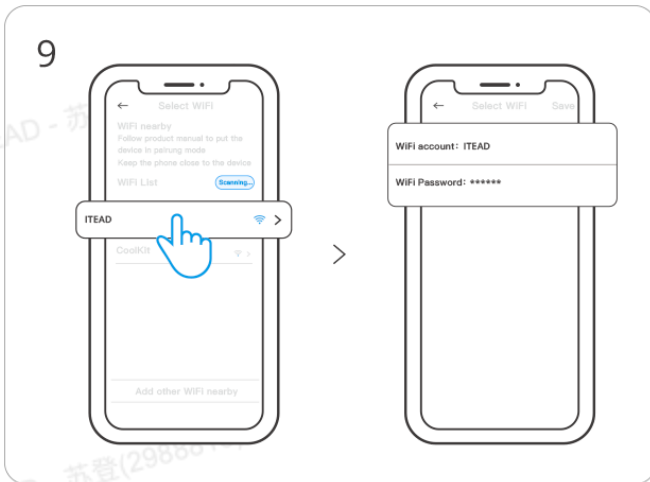
Check Wi-Fi LED indicator flashing status
(Two short and one long flashes)



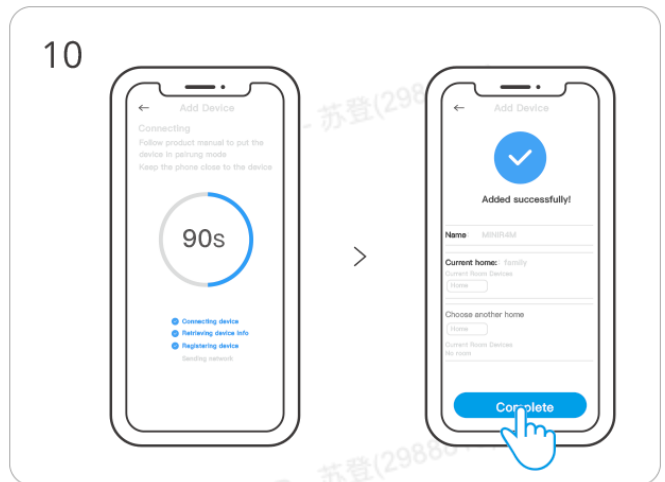
Select "Add Device"



Search for the device and start connecting



Select the "Wi-Fi" network and enter the password.



Device "Added completely".

FCC Warning

This device complies with part 15 of the FCC Rules. Operation is subject to the following two conditions:

- (1) This device may not cause harmful interference, and
- (2) This device must accept any interference received, including interference that may cause undesired operation.

2. Changes or modifications not expressly approved by the party responsible for compliance could void the user's authority to operate the equipment.

Note: This equipment has been tested and found to comply with the limits for a Class B digital device, pursuant to part 15 of the FCC Rules. These limits are designed to provide reasonable protection against harmful interference in a residential installation. This equipment generates, uses and can radiate radio frequency energy and, if not installed and used in accordance with the instructions, may cause harmful interference to radio communications. However, there is no guarantee that interference will not occur in a particular installation. If this equipment does cause harmful interference to radio or television reception, which can be determined by turning the equipment off and on, the user is encouraged to try to correct the interference by one or more of the following measures:

- Reorient or relocate the receiving antenna.
- Increase the separation between the equipment and receiver.
- Connect the equipment into an outlet on a circuit different from that to which the receiver is connected.
- Consult the dealer or an experienced radio/TV technician for help.

FCC Radiation Exposure Statement:

This equipment complies with FCC radiation exposure limits set forth for an uncontrolled environment. This equipment should be installed and operated with minimum distance of 20 cm between the radiator and your body. This transmitter must not be co-located or operating in conjunction with any other antenna or transmitter.

ISED Notice

This device contains licence-exempt transmitter(s)/receiver(s) that comply with Innovation, Science and Economic Development Canada's licence-exempt RSS(s).

Operation is subject to the following two conditions:

- (1) This device may not cause interference.
- (2) This device must accept any interference, including interference that may cause undesired operation of the device.

This Class B digital apparatus complies with Canadian ICES-003.

This device complies with RSS-247 of Industry Canada.

Operation is subject to the condition that this device does not cause harmful interference.

L'émetteur/récepteur exempt de licence contenu dans le présent appareil est conforme aux CNR d'Innovation, Sciences et Développement économique Canada applicables aux appareils radio exempts de licence. L'exploitation est autorisée aux deux conditions suivantes :

(1) L'appareil ne doit pas produire de brouillage;

(2) L'appareil doit accepter tout brouillage radioélectrique subi, même si le brouillage est susceptible d'en compromettre le fonctionnement.

Cet appareil numérique de la Classe B conforme à la norme NMB-003 du Canada.

Cet appareil est conforme à la norme RSS-247 d'Industrie Canada. Le fonctionnement est soumis à la condition que cet appareil ne provoque pas d'interférences nuisibles.

ISED Radiation Exposure Statement

This equipment complies with ISED radiation exposure limits set forth for an uncontrolled environment.

This equipment should be installed and operated with minimum distance of 20 cm between the radiator and your body.

This transmitter must not be co-located or operating in conjunction with any other antenna or transmitter.

Cet équipement est conforme aux limites d'exposition aux rayonnements de la ISED établies pour un environnement non contrôlé.

Cet équipement doit être installé et fonctionner à au moins 20cm de distance d'un radiateur ou de votre corps.

Cet émetteur ne doit pas être co-localisé ou fonctionner en conjonction avec une autre antenne ou un autre émetteur.

SAR Warning

Under normal use of condition, this equipment should be kept a separation distance of at least 20cm between the antenna and the body of the user.

Dans des conditions normales d'utilisation, cet équipement doit être maintenu à une distance d'au moins 20 cm entre l'antenne et le corps de l'utilisateur.

WEEE Warning



WEEE Disposal and Recycling Information All products bearing this symbol are waste electrical and electronic equipment (WEEE as in directive 2012/19/EU) which should not be mixed with unsorted household waste. Instead, you should protect human health and the environment by handing over your waste equipment to a designated collection point for the recycling of waste electrical and electronic equipment, appointed by the government or local authorities. Correct disposal and recycling will help prevent potential negative consequences to the environment and human health. Please contact the installer or local authorities for more information about the location as well as terms and conditions of such collection points.

EU Declaration of Conformity

Hereby, Shenzhen Sonoff Technologies Co., Ltd. declares that the radio equipment type MINIR4M is in compliance with Directive 2014/53/EU. The full text of the EU declaration of conformity is available at the following internet address:

<https://sonoff.tech/usermanuals>

Scatola	Manuale	Neto
PAP 21	PAP 22	EVA7
Carta	Carta	Plastica
RACCOLTA DIFFERENZIATA		
Verifica le disposizioni del tuo Comune. Separa le componenti e conferiscile in modo corretto.		



Manufacturer: Shenzhen Sonoff Technologies Co., Ltd.

Address: 3F & 6F, Bldg A, No. 663, Bulong Rd, Shenzhen, Guangdong, China

ZIP code: 518000

Service email: support@itead.cc

Website: sonoff.tech

Made in China



Points de collecte sur www.quefairedemesdechets.fr
Privilégiez la réparation ou le don de votre appareil !