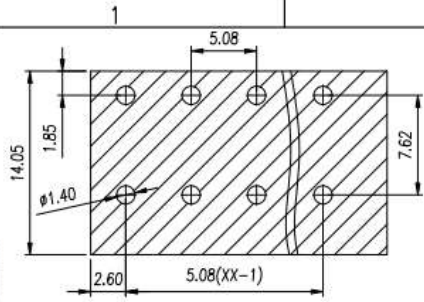
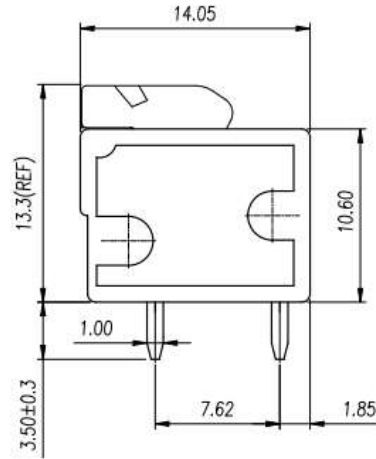
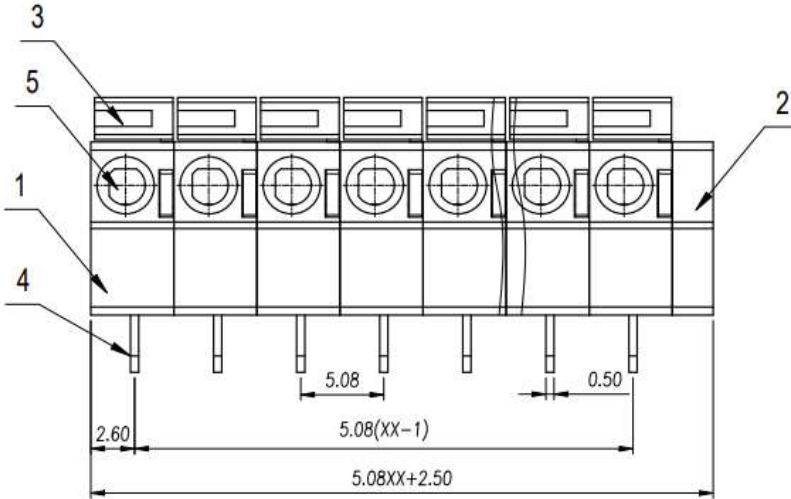
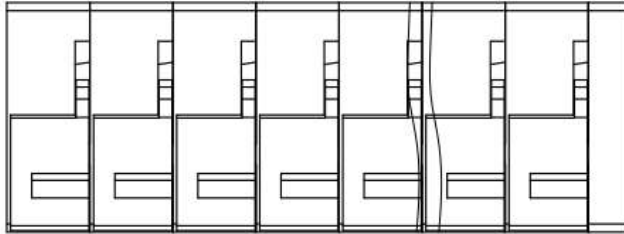


Transfer or duplication of this document as well as the utilization or communication of its contents are prohibited unless explicit authorization is granted. Violations will be liable for compensation. All rights reserved for patent, utility model or designs registrations. 除非给予明确授权，否则禁止以任何形式复制、传播、修改或向他人提供。未经许可擅自复制或传播，使用者须承担相关法律责任。



P.C.B. LAYOUT



| REVISION RECORD | | | | |
|-----------------|-------------|---------|----------|----------|
| REV. | DESCRIPTION | ECN No. | APPROVED | DATE |
| V0 | 新发行 | | ZhaoXY | 24.01.23 |

| UL/CUL 技术参数 | | | | |
|-----------------------|-----------------------------------|------------------|-----|-----|
| UL/CUL Technical Data | | | | |
| 等级 | Use Group | B | C | D |
| 额定电压 | Rated Voltage [V] | 300 | - | 300 |
| 额定电流 | Rated Current [A] | 10 | - | 10 |
| 接线范围 | Wire Range | 24-14 | | |
| 单/多芯线 | Solid/Stranded [AWG] | | | |
| 耐电压 | Withstanding Voltage | 1600V/1Min | | |
| IEC 技术参数 | | | | |
| IEC Technical Data | | | | |
| 过电压类别 | Overvoltage Category | III | III | II |
| 污染等级 | Contamination Class | 3 | 2 | 2 |
| 额定电压 | Rated Voltage [V] | 320 | 320 | 630 |
| 额定电流 | Rated Current [A] | 15 | 15 | 15 |
| 额定冲击电压 | Impulse withstand voltagea [KV] | 4 | 4 | 4 |
| 导线截面积 | Conductor cross section | 0.2-1.5 | | |
| 硬质/柔性导线 | Solid/flexible [mm ²] | | | |
| 材料 | | | | |
| 绝缘材料 | Insulation Material | PA66 | | |
| 阻燃等级 | Imflammability | UL94V-0 | | |
| 导体材料 | Contact Material | 铜合金 Copper alloy | | |
| 导体表面镀层 | Contactive Coating | 镀锡 Sn Plated | | |
| 一般参数 | | | | |
| 间距 | Pitch /极数 Poles [mm] / [P] | 5.08/ 01-30 | | |
| 工作温度 | Operating temperatur [°C] | -40~105 | | |
| 剥线长度 | Stripping Length [mm] | 10 | | |
| 焊接温度 | Soldering temperature | 260°C/SS | | |
| 引针尺寸 | Pin Dimensions [mm] | 1.0*0.5 | | |
| PCB板孔径 | PCB Hole Diameter [mm] | Ø1.4 | | |

| General Tolerances | | | | | | | | | | |
|--------------------|-------|--------------|---------------|---------------|----------------|-----------------|-------------|----------------|-------------|------|
| variable range | to | over 6 to 10 | over 10 to 30 | over 30 to 60 | over 60 to 100 | over 100 to 160 | over 160 to | over 10 to 100 | over 100 to | |
| tolerance | ±0.20 | ±0.30 | ±0.50 | ±0.70 | ±1.00 | ±1.30 | ±1.60 | 0.10 | 0.30 | 0.60 |

| ITEM | NAME OF PART | MATERIAL | NOTES |
|------|--------------|-----------------|-----------|
| 5 | Spring | Stainless steel | / |
| 4 | Pin header | Copper Alloy | Sn Plated |
| 3 | Button | PA66 | UL94V-0 |
| 2 | Cover | PA66 | UL94V-0 |
| 1 | Housing | PA66 | UL94V-0 |

| | | | | | | | |
|------|--------|------|----------|-------|-----|------------------------|--------------|
| DES. | ZhaoXY | DATE | 24.01.23 | UNITS | mm | THIRD ANGLE PROJECTION | |
| CHK. | HuHT | DATE | 24.01.23 | SIZE | A4 | TYPE: CUSTOMER DRAWING | SHEET 1 of 1 |
| APP. | Jason | DATE | 24.01.23 | SCALE | 2:1 | DRAWING TYPE: SP-03 | REV V0 |

1

2

3

4

5

FOR-0371 Rev.1.0